

Project: \_\_\_\_\_

Tag: \_\_\_\_\_

Engineer: \_\_\_\_\_

Contractor: \_\_\_\_\_

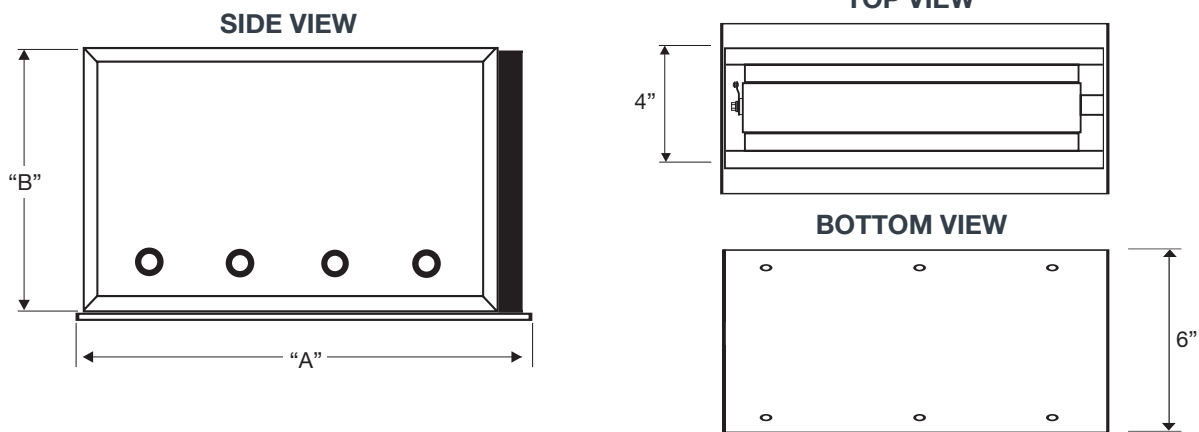
Date: \_\_\_\_\_

**COMBINATION ZONE RELIEF DAMPER**

**MODEL: CZRD BOTTOM MOUNT**

**Combination Zone Relief Rectangular Bottom Mount Damper**

3-Wire, 2-Position Motorized and Barometric Rectangular Zone Damper



**Dimensions and Applications:**

- CZRD Models are available in Standard Sizes from 8" X 8" to 24" X 14" in 2" increments
- Compatible with mostly residential HVAC applications, or any HVAC applications with static pressure less than 1.0" WC
- CZRD Models are sized width (A) by height (B) with actuator on the (B) dimension
- When ordering bottom mount models, the actuator will be placed on the (A) dimension
- Actual (A) and (B) dimension are undercut 1/4"

**Standard Construction:**

- 1/16" Extruded Aluminum frame with a one piece steel blade
- Nylon bushings for quiet operation
- Minimum position adjustment

**Electrical and Power:**

- Powered by a Power Close/Power Open motor
- 24 Volt, 1.5 VA, 35 Second Timing
- 2-Wire, 2-Position, Floating Point