

Project: \_\_\_\_\_

Tag: \_\_\_\_\_

Engineer: \_\_\_\_\_

Contractor: \_\_\_\_\_

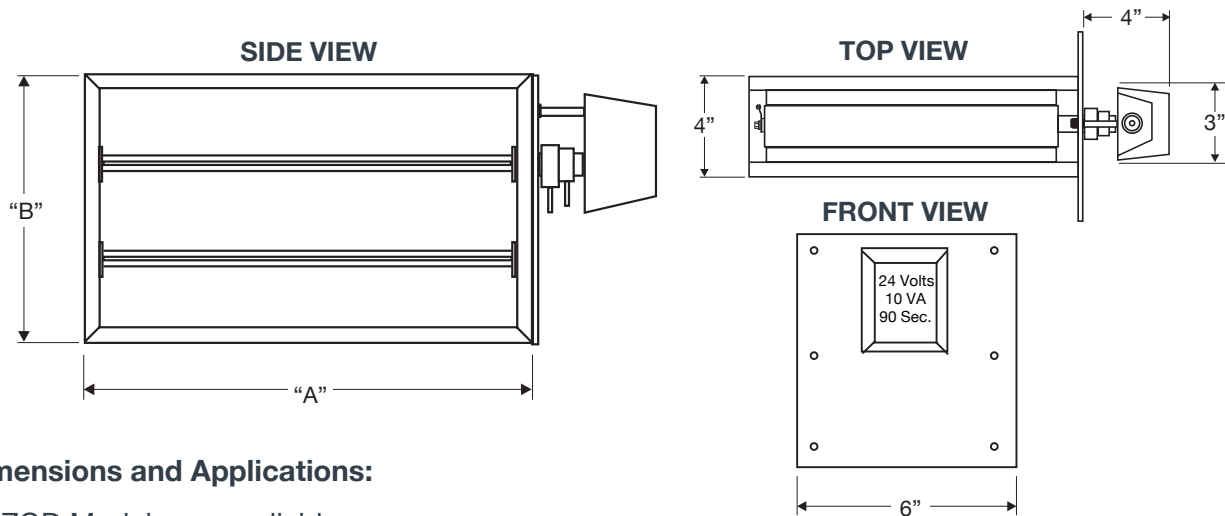
Date: \_\_\_\_\_

**RESIDENTIAL ZONE QUADRANGLE (RECTANGLE) DAMPER**

**MODEL: RZQD**

**Residential Zone Rectangular Damper**

2-Wire, 2-Position Motorized Rectangular Zone Damper



**Dimensions and Applications:**

- RZQD Models are available in Standard Sizes from 8" x 8" up to 36" x 24" in 2" increments
- RZQD Models are sized width (A) by height (B) with actuator on the (B) dimension
- When ordering bottom mount models, the actuator will be placed on the (A) dimension
- Actual (A) and (B) dimension are undercut 1/4"
- Compatible with mostly residential HVAC applications, or any HVAC applications with static pressure less than 1.0" WC

**Standard Construction:**

- 1/16" Extruded Aluminum frame, parallel blades and mounting flange
- Brass bushings for quiet operation
- Minimum position adjustment

**Electrical and Power:**

- Powered by a Power Close/Power Open motor
- 24 Volt, 10 VA, 0.356 Amp
- 2-Wire, 2-Position

**Note:**

The actuator can be factory installed on the left side of the damper (install charge may apply)