

Project: _____

Tag: _____

Engineer: _____

Contractor: _____

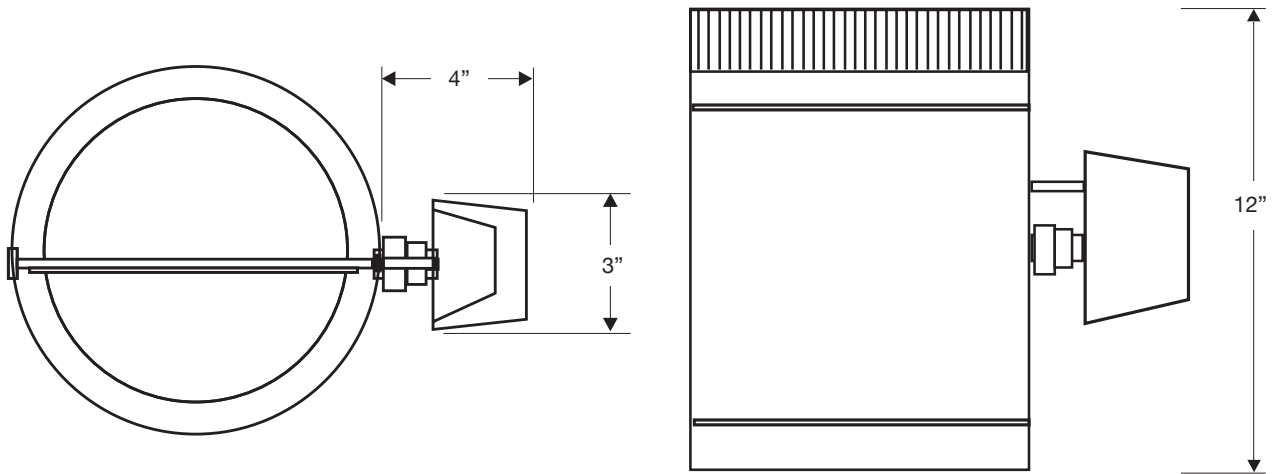
Date: _____

RESIDENTIAL ZONE ROUND DAMPER

MODEL: RZRD

Residential Zone Round Damper

3-Wire, 2-Position Motorized Round Zone Damper



Dimensions and Applications:

- RZRD Models are available in Standard Sizes of 4"-20"
- Compatible with mostly residential HVAC applications, or any HVAC applications with static pressure less than 1.0" WC

Standard Construction:

- 24 Gauge Smooth Steel
- 5/16" Aluminum shaft
- Nylon bushings for quiet operation
- Minimum position adjustment

Electrical and Power:

- Powered by a Power Close/ Spring Return Open motor
- 24 Volt, 10 VA, 0.356 Amp
- 2-Wire, 2-Position
- Easily able to be converted to Power Open/ Spring Return Close in the field