

CP-X 3-Zone Expansion Panel Installation and Operation Instructions

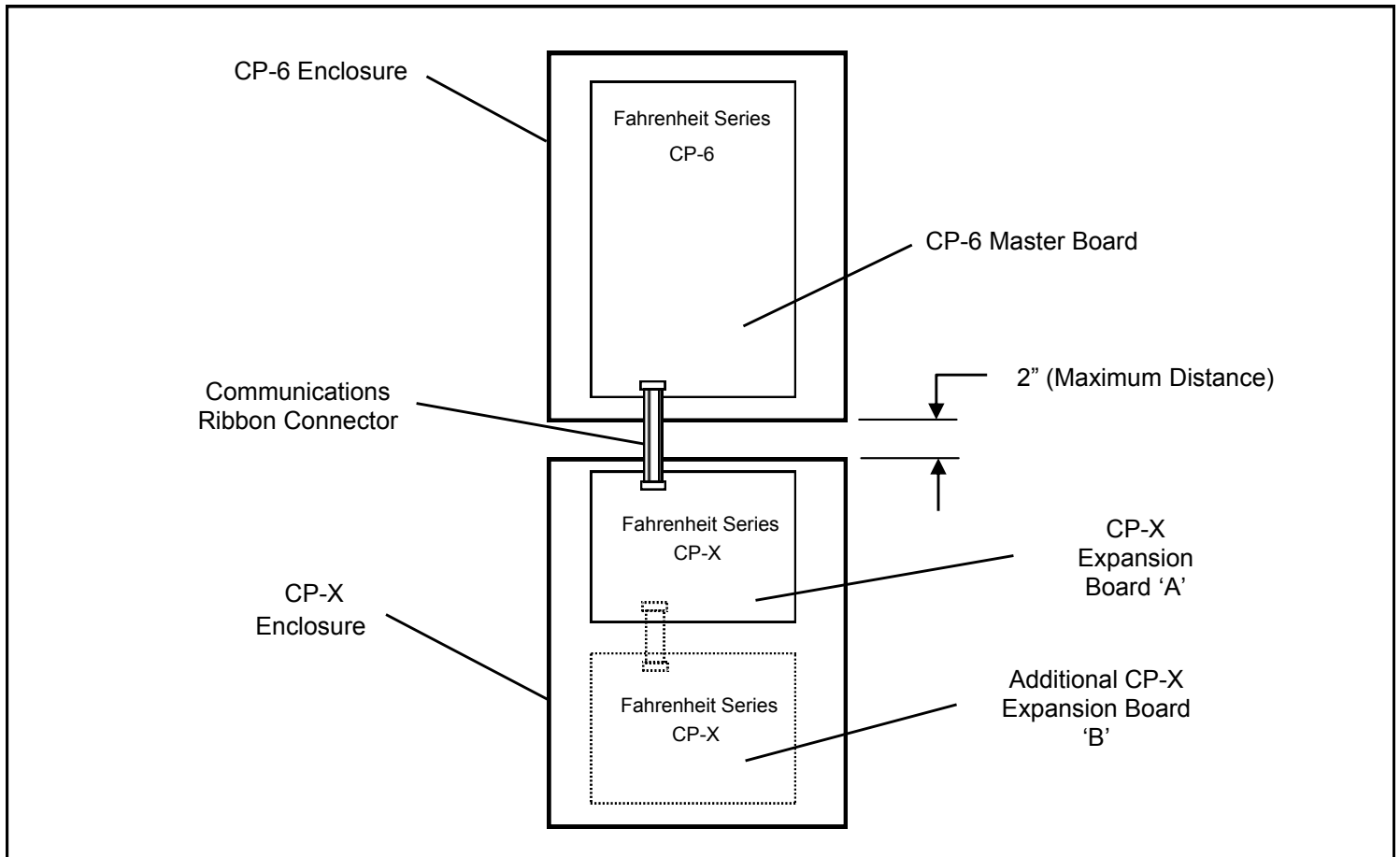
INTRODUCTION

The CP-X Expansion Panel is a 3-zone module. It is mounted in its own anodized aluminum enclosure to match the CP-6 master panel. The CP-X connects to the CP-6 control panel via the included communications ribbon connector. An additional CP-X expansion board can be daisy chained together in the same enclosure to provide an additional 3 zones, for a total of 12.

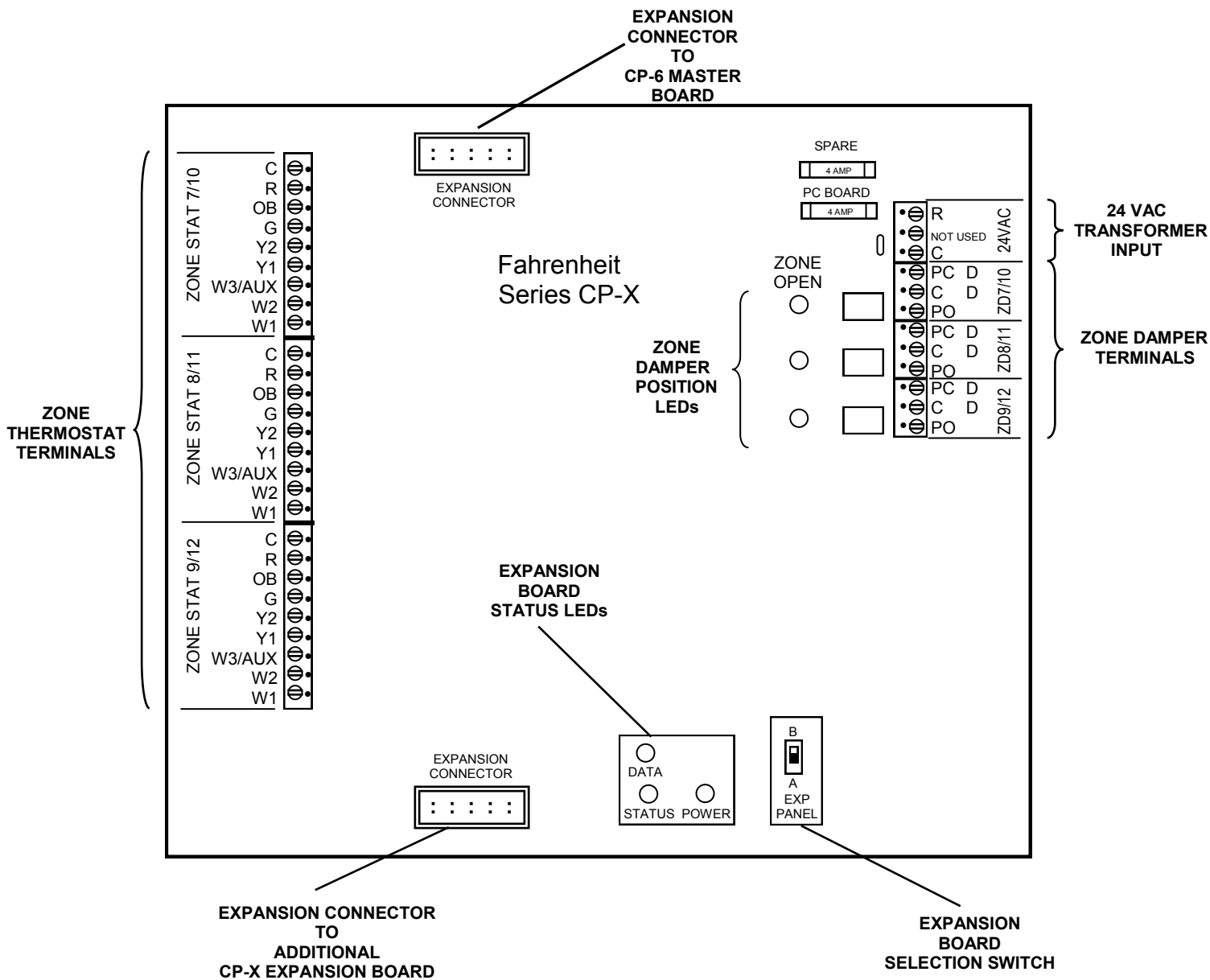
INSTALLATION

1. Turn power off to HVAC unit and control panel during installation to prevent serious injury from electrical shock and/or damage to system.
2. Mount the CP-X expansion panel no more than 2 inches under the CP-6 control panel. This will allow enough room to facilitate wiring and connection of the communications ribbon.
3. Each CP-X expansion panel requires its own 24 volt transformer.
4. Zone dampers and zone thermostats wire the same as on the CP-6 panel.
5. **Never connect or disconnect the communications ribbon connector when there is 24 volt power to the CP-6 or CP-X boards as this can cause permanent damage to the microprocessor.**
6. If one CP-X expansion panel is added to the CP-6, set the Expansion Panel Selector Switch to 'A'.
7. If a second CP-X expansion panel is added, set its Expansion Panel Selector Switch to 'B'.

SEE BACK FOR ADDITIONAL INFORMATION



CP-X 3-Zone Expansion Panel Installation and Operation Instructions



| CP-X SYSTEM STATUS LED DEFINITIONS AND FUNCTIONS | | |
|--|--------------------------------|--|
| ZONE OPEN | Damper Position | ON when zone damper is in open position |
| DATA | Send/Receive | BLINKS when data is being sent and received. |
| STATUS | Continuous System Check | BLINKS to confirm microprocessor is functioning properly. |
| POWER | Expansion Board Power | ON when CP-X is receiving 24 volts power. |